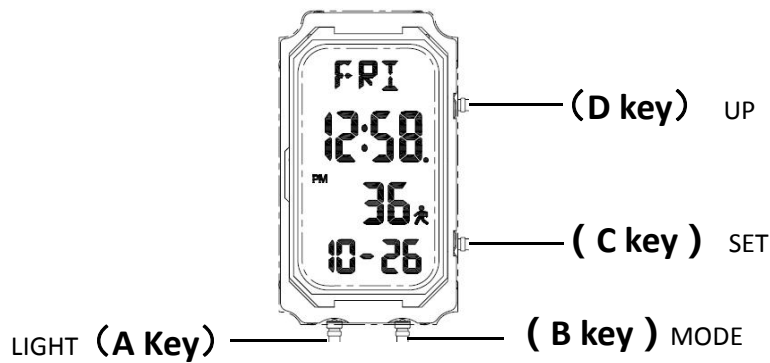


USER MANUAL OF 1363

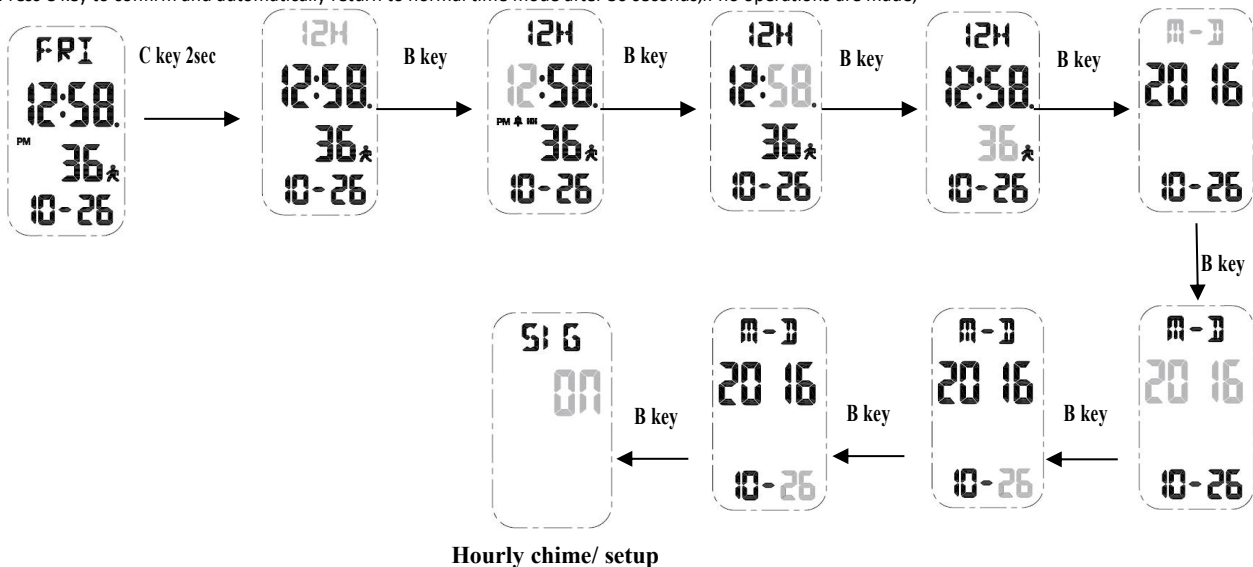


A . Features

- ★ 13 Digital LCD Display : Date,Month,Week,hour, Minute,Second;
- ★ Pedometer,21 days data storage;
- ★ Alarm and Hourly chime;
- ★ 12/24 hours,date;
- ★ 1/100 sec Stopwatch;
- ★ EL Light;
- ★ Low battery alert;

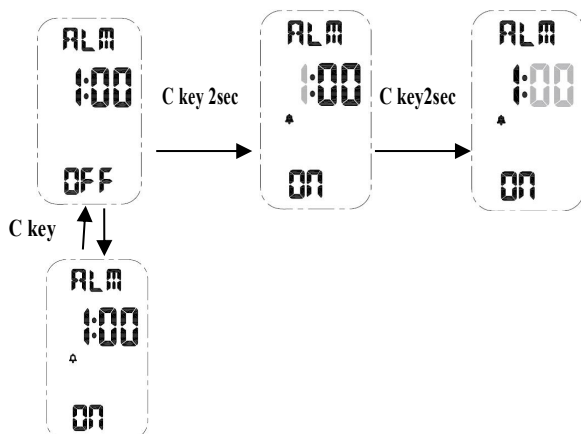
B. Time and hourly chime setup

1. In normal time mode, press C key for 2 seconds enter into time setting, The Grey part will be flashing;
2. Click B key to switch cycling setting mode;
3. Click D key to adjustment the “flashing” setting;
4. Press C key to confirm and automatically return to normal time mode after 30 seconds,if no operations are made;



C. Alarm Function

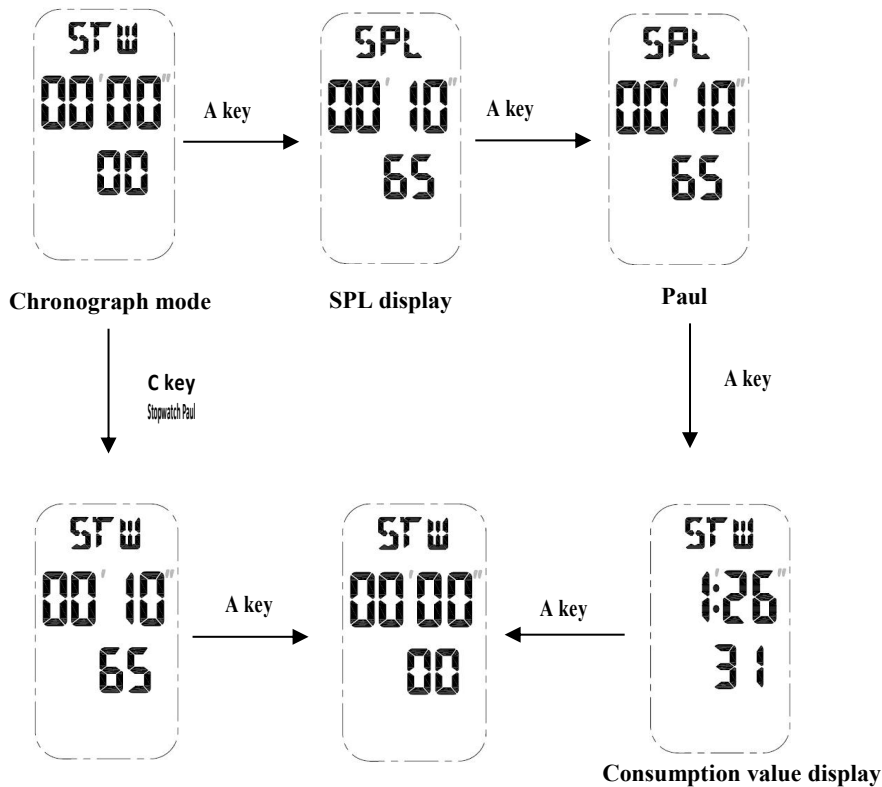
1. In normal time mode press D key into Alarm mode;
2. Alarm activate/ deactivate and alarm time setting



3. Click D key to adjustment the “flash” setting
4. Press C key to confirm and automatically return to normal time mode after 30 seconds,if no operations are made;

D. Chronograph mode

1. In normal time model click D key for 2 times enter into stop watch mode

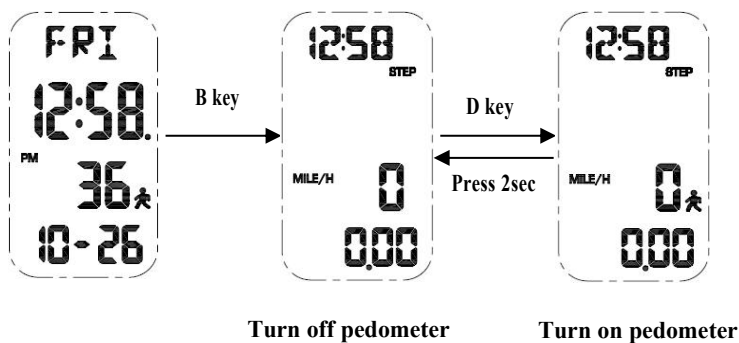


2. Stopwatch maximum 99'99'99', will restart to 00'00'00 when arrive maximum

3. In SPL state, switch it to other function display, SPL will be cancel automatically. chronograph, alarm, hourly chime will keep working.

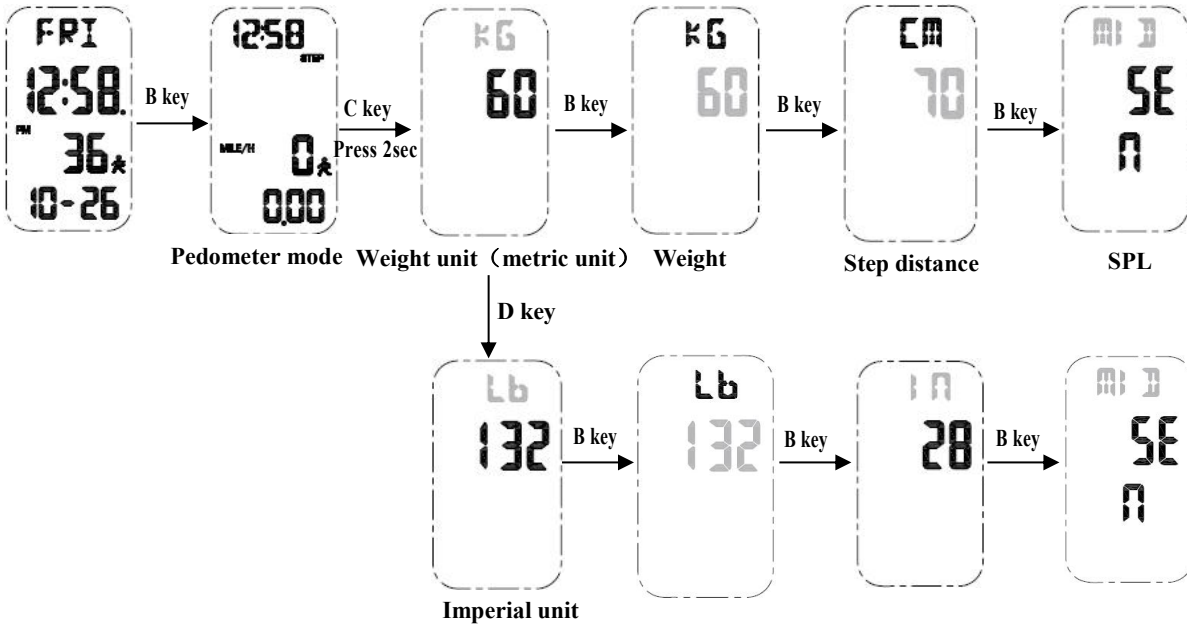
E. Calories/ kilometer mode

● pedometer switch

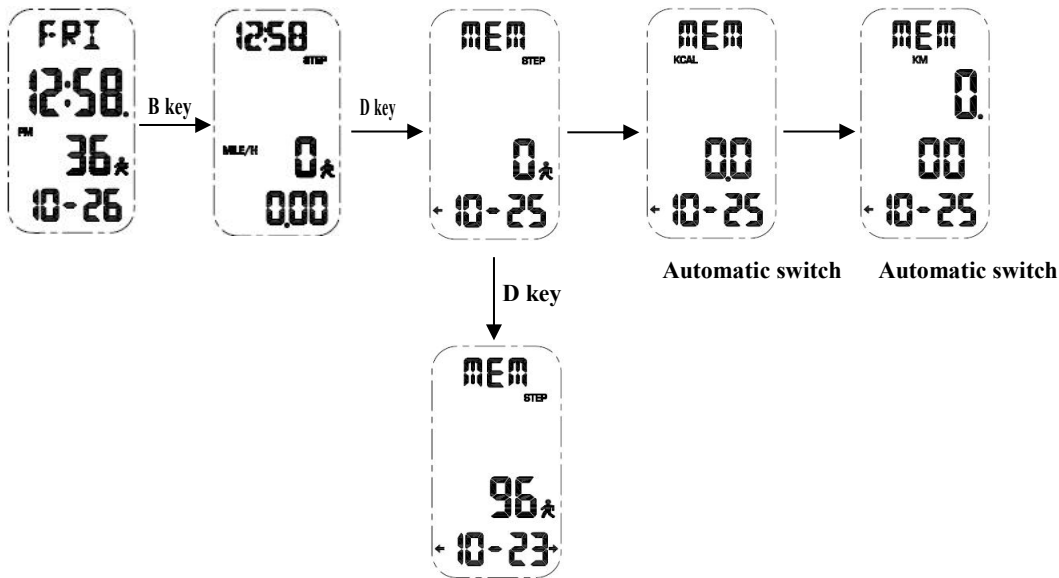


- In normal mode click B key then press D key for 2seconds to on/ off step record function,click it switch to double display mode: time-step- average speed or running time- calories- kilometers;
- Display time, step and average speed ;
- Display running time- calories- kilometers in screen
- Max steps : 999999 steps
- Max speed : 99.99KM/H or 99.99MILE/H;
- Max minutes : 1999MIN;
- Max calories : 99999.9KCAL;
- Max distance: 999.9KM or 999.99MILE;
- Two mode for steps recording;
- In pedometer mode, press A key for 2 second,steps, calories,distance will return to Zero;
- Records will be back to Zero at 12:00 AM of every day;

● Pedometer mode



● Step memory storage mode



F. Low voltage detection

- Low voltage detecting in every one minutes
- When battery voltage $\leq 2.5V$, LCD will show up
- Please change the battery when it is low power

G. Specification

- ★ Operational Temperature Range : 0°C~+50°C
- ★ Operational Voltage : 3.0V
- ★ Accuracy : $\pm 60\text{sec/month}$
- ★ Battery Code : CR2025
- ★ Static Maximum current : $\leq 6.5 \mu A$ (T=25°C)
- ★ Static average current : $\leq 2.5 \mu A$ (T=25°C)
- ★ Meter average current : $\leq 50 \mu A$ (T=25°C)
- ★ Alarm average current : $\leq 2.5 \text{ m A}$
- ★ EL lighten average current : $\leq 10 \text{ m A}$
- ★ Battery life : 18 month(Japan Battery)

(Battery life calculate according to EL lighten 2 time each day for 3 second each time , alarm for 20 seconds each day)

USER MANUAL OF 1363